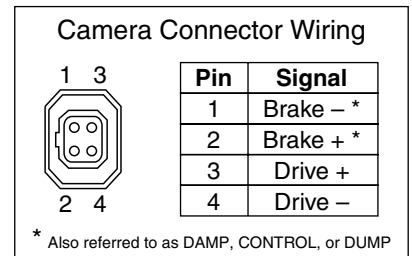
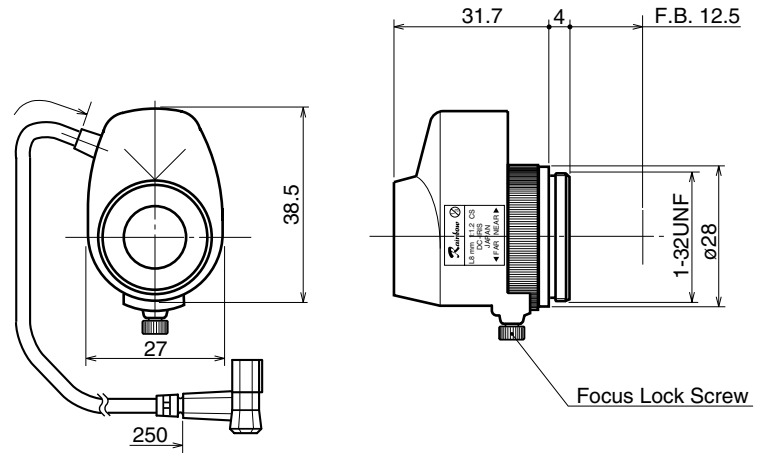


L8DC4P

8mm F1.2 – CS-Mount

Compatible with 1/3" & 1/4" Cameras

- Focal Length:** 8mm
- Max. Relative Aperture:** 1:1.3
- Iris:** F1.2~Approx. F360
With ND Spot Filter
- Angular Field of View:** 1/3": 37.5° × 27.7°
1/4": 25.4° × 19.1°
- Min. Object Distance (M.O.D.):** 0.1m (From Front Vertex)
- Optical Back Focal Distance:** 10.7mm (In Air)
- Operation:** Focus: Manual
Iris: IG (Auto-Close System)
- Operation Voltage:** Close to Open: Less than 3V
Open to Close: More than 0.5V
- Operation Temperature:** -10 ~ +50°C (+14 ~ 122° F)
- Filter Size:** None
- Mount:** CS-Mount
(Adjustable Lens Position)
- Size, Approx. Weight:** 27 × 38.5 × 31.7mm (w/h/d), 50g
(Approx. 1.1 × 1.5 × 1.2in., 1.8oz.)



L12DC4P

12mm F1.4 – CS-Mount

Compatible with 1/3" & 1/4" Cameras

- Focal Length:** 12mm
- Max. Relative Aperture:** 1:1.4
- Iris:** F1.4~Approx. F88
With ND Spot Filter
- Angular Field of View:** 1/3": 22.6° × 17.1°
1/4": 17.1° × 12.8°
- Min. Object Distance (M.O.D.):** 0.3m (From Front Vertex)
- Optical Back Focal Distance:** 13.87mm (In Air)
- Operation:** Focus: Manual
Iris: IG (Auto-Close System)
- Operation Voltage:** Close to Open: Less than 3V
Open to Close: More than 0.5V
- Operation Temperature:** -10 ~ +50°C (+14 ~ 122° F)
- Filter Size:** 30.5mm P0.5
- Mount:** CS-Mount
(Adjustable Lens Position)
- Size, Approx. Weight:** 41.5 × 51 × 42mm (w/h/d), 60g
(Approx. 1.6 × 2.0 × 1.7in., 2.1oz.)

