

# WELDEX

OEM MANUFACTURER OF CCD CAMERAS

## 1/3" COLOR AND B&W ARMORDOME CAMERAS

**WDD-7500 SERIES**  
DC-12 VOLT COLOR AND B&W  
ARMORDOME CAMERAS



**WDD-6400 SERIES**  
AC-24 VOLT COLOR AND B&W  
ARMORDOME CAMERAS



### MAIN FEATURES

- MINI HIGH IMPACT ARMORDOME THAT ALLOWS FOR UNOBTRUSIVE VIDEO MONITORING WHILE STILL PROVIDING ULTIMATE PROTECTION FOR THE CAMERA
- TAMPER-PROOF HARDWARE ADDS EXTRA PROTECTION AGAINST VANDALISM
- MANUAL PAN AND TILT ADJUSTMENTS MAKE THIS CAMERA EASY TO INSTALL ON VERTICAL OR HORIZONTAL SURFACES
- AUTOMATIC BACK LIGHT COMPENSATION
- DIGITAL SIGNAL PROCESSING (DSP) PROVIDES UNMATCHED PICTURE QUALITY
- HEAVY-DUTY ALL METAL ARMORDOME BASE AND SWIVEL BRACKET MAKES FOR THE MOST RUGGED CAMERA ENCLOSURE AVAILABLE ON THE MARKET
- CAMERA OPTIONS INCLUDE: COLOR AND B&W, NORMAL RESOLUTION (420/430 TVL) AND HIGH RESOLUTION (570 TVL), 24 VAC AND 12 VDC POWER REQUIREMENTS

**WELDEX CAN CUSTOMIZE CAMERAS FOR YOUR SPECIFIC NEED!!**

# General Specifications

## ELECTRICAL

Input Voltage	24 Volt AC / 12 Volt DC
Power Consumption	200mA or less
Video Connector	BNC
Power Connector	Bare leads / 2.1mm Barrel Plug

## VIDEO

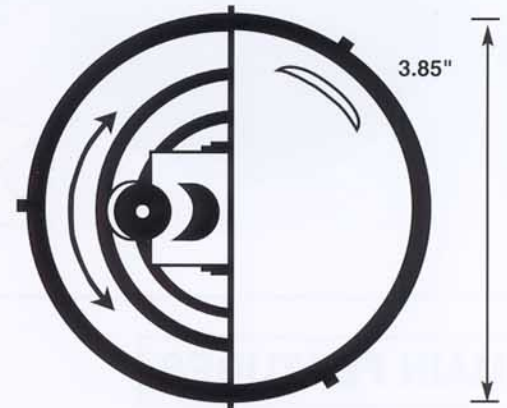
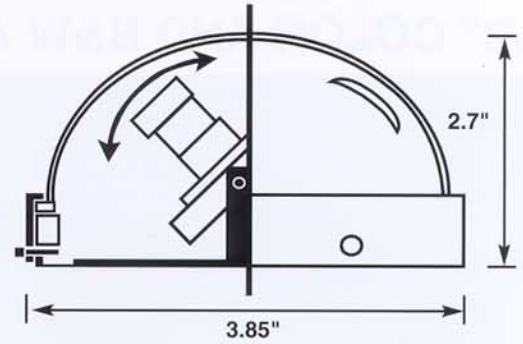
Pixels	High Resolution - 768(H) x 494(V) Normal Resolution - 512(H) x 492(V)
S/N Ratio	More than 48dB
Video Output	1.0Vp-p 75ohm
CCD	1/3" Color DSP and 1/3" Monochrome
Back Light Compensation (BLC)	Automatic

## PHYSICAL

Construction	Heavy Duty Metal Base and Swivel Bracket - Polycarbonate Dome Cover
Color	Black (Biege Available)
Cable Entry	1/2" Hole On Bottom Plate
Manual Pan / Tilt Adjustment	75 Degree Pan (When Installed) 90 Degree Tilt (When Installed)
Lens	Fixed 3.6mm (2.2, 2.5, 2.9, 4.3 6.0, 8.0, 12.0, and 16.0mm Available)
Dimensions	3.85" (DIA) x 2.7" (H)

## ENVIRONMENT

Operating Temp.	+4 Deg. F to +158 Deg. F
Storage Temp.	-4 Deg. F to + 160 Deg. F
NEMA Rating	Type 2



SURFACE MOUNT DOME CAMERA  
ON CEILINGS, WALLS, POLES OR  
OTHER SOLID AREAS.

COLOR	CCD	POWER REQ.	RESOLUTION	LUX	LENS
WDD-7500C	1/3" COLOR DSP	12 Volt DC	420 TV Lines	0.3	FIXED 3.6mm- OTHERS AVAILABLE
WDD-7505C	1/3" COLOR DSP	12 Volt DC	570 TV Lines	0.3	FIXED 3.6mm- OTHERS AVAILABLE
WDD-6400C	1/3" COLOR DSP	24 Volt AC	420 TV Lines	0.3	FIXED 3.6mm- OTHERS AVAILABLE
WDD-6405C	1/3" COLOR DSP	24 Volt AC	570 TV Lines	0.3	FIXED 3.6mm- OTHERS AVAILABLE

B&W	CCD	POWER REQ.	RESOLUTION	LUX	LENS
WDD-7500B	1/3" B&W	12 Volt DC	430 TV Lines	0.03	FIXED 3.6mm- OTHERS AVAILABLE
WDD-6400B	1/3" B&W	24 Volt AC	570 TV Lines	0.03	FIXED 3.6mm- OTHERS AVAILABLE

**WELDEX** CORPORATION

13810 CERRITOS CORPORATE DR., CERRITOS, CA 90703  
Tel: (562) 404-8736 • Fax: (562) 802-0388