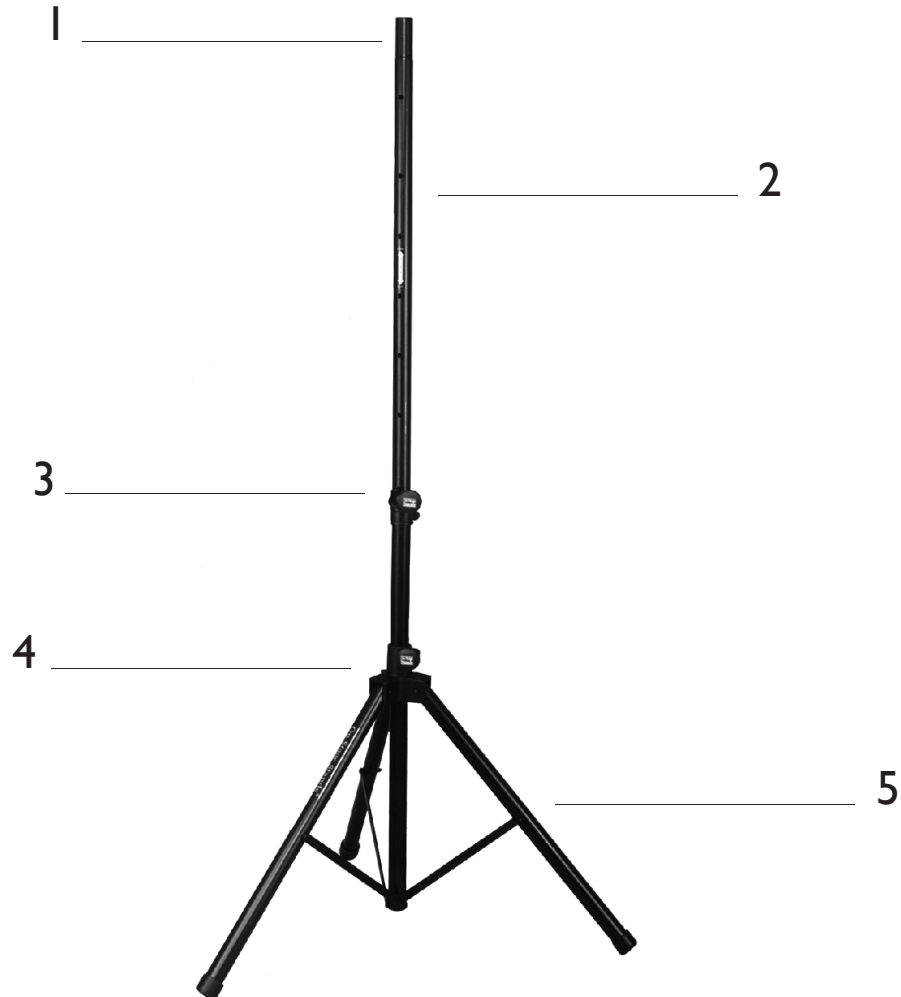


SS7761B Speaker Stand

An extremely versatile speaker stand, the SS7761B features a reversible-shaft which may be used with either 1 3/8" or 1 1/2" speaker cabinets.



Features and Specifications:

1. Reversible shaft may be used with 1 3/8" or 1 1/2" speaker cabinet inserts.
2. Aluminum shaft reduces stand weight for easy transport and cost-effective shipping.
3. Molded plastic clutch with ergonomic locking knob and locking shaft pin.
Adjustable height: 44" - 80"
4. Molded plastic leg housing with ergonomic locking knob is lightweight, and extremely durable.
5. Folding aluminum legs with heavy-duty plastic end caps.
Base spread: 32" - 48"

List Price: \$99.99 □ □ □ □ □ □

Inv. Number: 74006

Case Qty: 6

Case Weight: 43 lbs