



Round Ceiling Baffle

for 8" Speakers

Stud Speaker Mount – **Model EJ8W**

Screw Speaker Mount – **Model FJ8W**

with Mounting Ring – **Models EJM8W & FJM8W**

- Flush mount, cost effective 8" speaker baffle.
- Large 12-1/2" diameter hides irregular cutout in ceiling panel.
- Ceiling white, non-glare texture blends with ceiling surface. Paintable, non-corroding.
- Made of UV stabilized high impact grade polystyrene thermoplastic.
- Mounting pattern 9-1/8" circle for fast, labor-saving assembly with Fourjay mounting rings and bridges, Models MR8, LAC8, TB8 & PB8.
- Matching white head screws and other essential fasteners furnished.
- Injection molded in Fourjay's plant for quality assurance and quick shipment.

Model EJ8W & EJM8W

- Easy-on stud mount for standard 8" speaker. Place speaker on studs and secure with push-on nuts provided. No tools required.
- White head screws and retainers furnished.
- Model EJM8W contains EJ8W baffle and MR8 mounting ring.



Model FJ8W & FJM8W

- Mounting holes for standard 8" speaker.
- Accepts thick gasket foreground speakers.
- White head screws and hex nuts furnished.
- Accepts Model D8W diffuser. See Form 447.
- Model FJM8W contains FJ8W baffle and MR8 mounting ring.



ARCHITECT'S & ENGINEER'S SPECIFICATIONS

Round 12-1/2" diameter baffle for 8" speaker shall be Fourjay Model EJ8W. It shall have (4) mounting holes on 9-1/8" circle and (4) studs on back to accept most 8" speakers. The baffle shall be made of ceiling white, UV stabilized, paintable, high impact grade polystyrene thermoplastic. Fasteners furnished; (4) push-on nuts to secure the speaker, (4) #8 x 1-1/2" truss-whitehead screws to secure baffle to mounting device.

ARCHITECT'S & ENGINEER'S SPECIFICATIONS

Round 12-1/2" diameter baffle for 8" speaker shall be Fourjay Model FJ8W. It shall have (4) mounting holes on 9-1/8" circle and (4) holes on 7-5/8" circle to accept most 8" speakers. The baffle shall be made of ceiling white, UV stabilized, paintable, high impact grade polystyrene thermoplastic. Fasteners furnished; (4) #8-32 x 1" truss-whitehead screws, (4) #8 hex-nuts to fasten speaker to baffle, (4) #8 x 1-1/2" truss-whitehead screws to secure baffle to mounting device. Fourjay Model D8W diffuser may be mounted to baffle.



FOURJAY SINCE 1956
INDUSTRIES, INC.

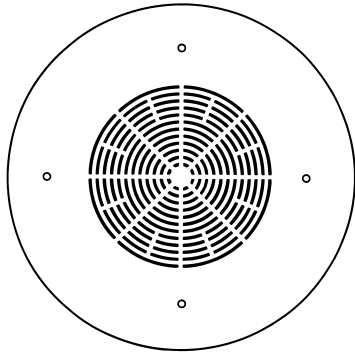
3400 STOP EIGHT ROAD • P.O. BOX 13617 • DAYTON, OH 45413-0617
TELEPHONE (937) 890-6444 • FAX (800) 4J HORNS (454-6767)
WEBSITE: <http://www.fourjay.com> • EMAIL: 4j@fourjay.com

Fourjay Quality—American Made

IN STOCK

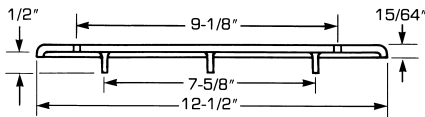
IMMEDIATE SHIPMENT

MODEL EJ8W

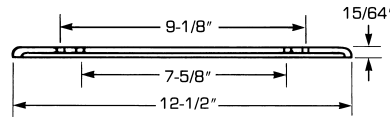
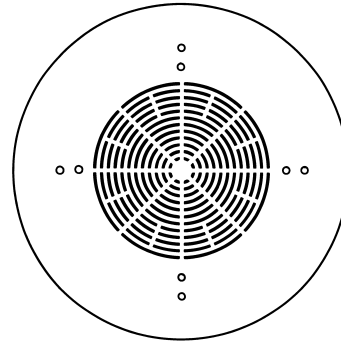


Easy-On

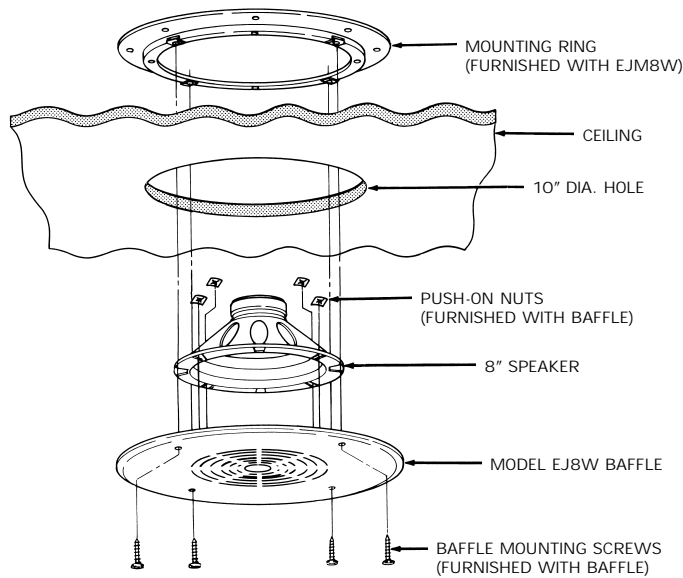
Place speaker on the mounting studs, install the push-on nuts. Need not be tight. Assemble the baffle in seconds



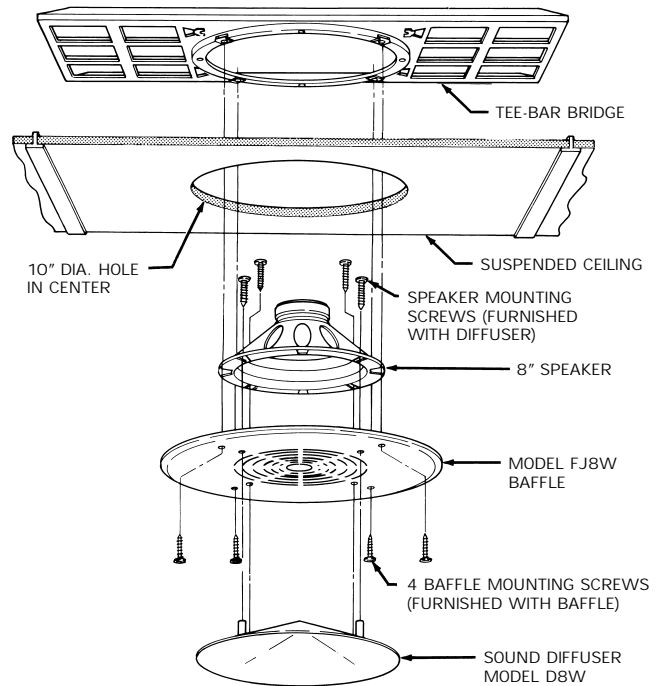
MODEL FJ8W



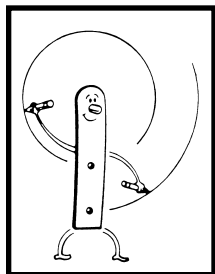
ASSEMBLY OF MODEL EJM8W



MODEL FJ8W WITH DIFFUSER & TEE BAR BRIDGE

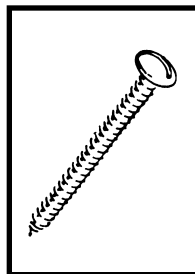


ACCESSORIES



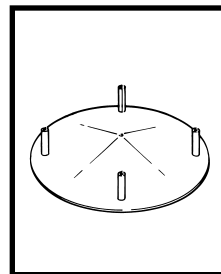
MR. SCRIBER

Mounting hole marker supplied with each shipment of Model EJM8W, FJ8MW and with other Fourjay mounting devices.



KIT NO. K25

Extra long 2-1/2" screws for use with extra thick tile. Special white heads match Fourjay white baffles. 100 screws in kit.



MODEL D8W

Diffuser eliminates "hot spots" under speakers. Can reduce number of speakers required. See Form 447 for details.



FOURJAY SINCE 1956
INDUSTRIES, INC.

3400 STOP EIGHT ROAD • P.O. BOX 13617 • DAYTON, OH 45413-0617
TELEPHONE (937) 890-6444 • FAX (800) 4J HORNS (454-6767)
WEBSITE: <http://www.fourjay.com> • EMAIL: 4j@fourjay.com

Fourjay Quality—American Made